

Suspended decorative luminaire for LED light sources.

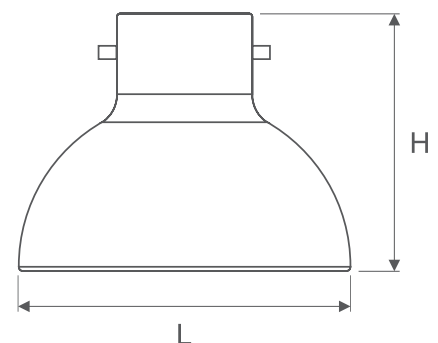
<b>TECHNICAL DATA</b>	<b>Mounting:</b> suspended, on wire suspension (included)
	<b>Body:</b> top quality aluminum
	<b>Colour:</b> silver, white
<b>ELECTRICAL DATA</b>	<b>Power:</b> 220-240V 50/60Hz
	<b>Includes light source:</b> yes
	<b>Type of equipment:</b> ED
<b>OPTICAL DATA</b>	<b>Way of lighting:</b> direct
	<b>Reflector:</b> polished
<b>ADDITIONAL INFO</b>	<b>Available on request:</b> DIM 1..10V, DALI
<b>GENERAL DATA</b>	<b>Warranty:</b> 3 years + 2 years after project registration
	<b>Application:</b> offices, conference rooms, reception desks, shopping centers, galleries, boutiques, museums



Code	Beam angle	Power LED [W]	Luminaire power [W]	Lumen LED [lm]	Lumen luminaire [lm]	Efficacy [lm/W]	Colour temperature [K]	CRI/Ra
20011X.5L01.11X	102°	26	30	3000	3000	100	3000	≥81
20011X.5L02.11X	102°	25	29	3000	3000	103	4000	≥81
20011X.5L03.11X	102°	46	54	5000	5000	93	3000	≥81
20011X.5L04.11X	102°	42	49	5000	5000	102	4000	≥81

20011	.5L01.11	
		Ring colour Archeo
	0	none
	1	red
	2	yellow
	3	blue
	4	green
		Body colour
	0	brushed alu
	1	white

Code	Dimensions [mm] L H	Mounting dimensions [mm] L	Pallet quantity	Quantity in package	Net weight [kg]
20011X.5L01.11X	403 312	247	18	1	4.0
20011X.5L02.11X	403 312	247	18	1	4.0
20011X.5L03.11X	403 312	247	18	1	4.0
20011X.5L04.11X	403 312	247	18	1	4.0



Designed by LUG Design Team

Luminous flux tolerance +/- 10%.

Lighting beam, light intensity distribution and light efficiency were examined in accordance with the EN ISO 17025:2005 norm for EN13032 norm series and the LM-79 norm.

Up-to-date product info available on our website [www.flashdq.com](http://www.flashdq.com)

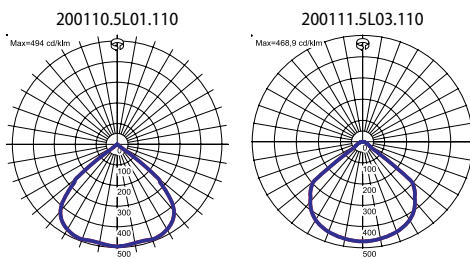
Date of issue: 26-2-2016

The LUG Company reserves right to introduce any construction changes and improvements into the lighting luminaires

## OTHER PICTURES



## LIGHT BEAM CURVES



Designed by LUG Design Team

Luminous flux tolerance +/- 10%.

Lighting beam, light intensity distribution and light efficiency were examined in accordance with the EN ISO 17025:2005 norm for EN13032 norm series and the LM-79 norm.

Up-to-date product info available on our website [www.flashdq.com](http://www.flashdq.com)

Date of issue: 26-2-2016

The LUG Company reserves right to introduce any construction changes and improvements into the lighting luminaires