

Modern downlight luminaire with spotlight function for LED light sources for plaster board ceilings.

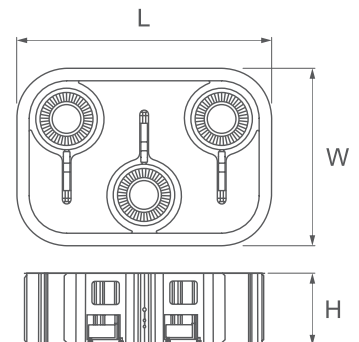
TECHNICAL DATA	Mounting: in the ceiling, with mounting brackets (included) Body: powder painted steel sheet and anodized aluminum Colour: white, black
ELECTRICAL DATA	Power: 220-240V 50/60Hz Includes light source: yes Type of equipment: ED
OPTICAL DATA	Way of lighting: direct
ADDITIONAL INFO	Available on request: metal halide lamps (on request), DALI Other remarks: for metal halide version - please order MH light sources
GENERAL DATA	Warranty: 3 years + 2 years after project registration Application: hotels, offices, delicatessen, galleries, boutiques, shopping centers, museums



Code	Beam angle	Power LED [W]	Luminaire power [W]	Lumen LED [lm]	Lumen luminaire [lm]	Efficacy [lm/W]	Colour temperature [K]	CRI/Ra
22001X.5L301.3X4	24°	3x17,5	62	3x1560	4680	75	4000	92
22001X.5L302.3X4	24°	3x17,5	62	3x1430	4290	69	3000	92
22001X.5L303.3X4	40°	3x17,5	62	3x1560	4680	75	4000	92
22001X.5L304.3X4	40°	3x17,5	62	3x1430	4290	69	3000	92

22001	□	.5L101.3	□	1
				Colour of decorative elements
			1	pink
			2	red
			3	green
			4	blue
			5	yellow
			6	white
			7	black
				Body colour
			1	white
			3	black

Code	Dimensions [mm] LWH	Pallet quantity	Quantity in package	Net weight [kg]
22001X.5L301.3X4	500 348 144	20	1	6.0
22001X.5L302.3X4	500 348 144	20	1	6.0
22001X.5L303.3X4	500 348 144	20	1	6.0
22001X.5L304.3X4	500 348 144	20	1	6.0



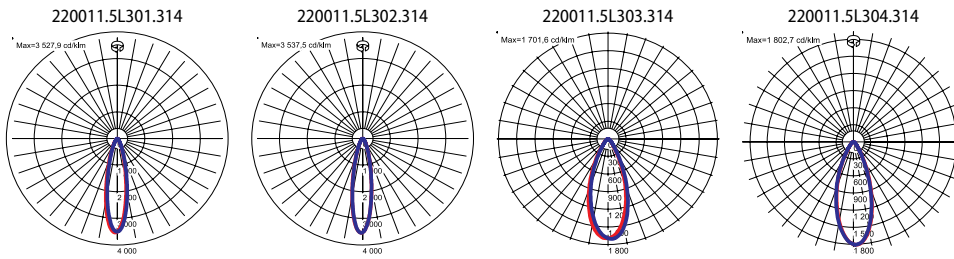
Designed by LUG Design Team

Luminous flux tolerance +/- 10%.
Lighting beam, light intensity distribution and light efficiency were examined in accordance with the EN ISO 17025:2005 norm for EN13032 norm series and the LM-79 norm.
Up-to-date product info available on our website www.flashdq.com

Date of issue: 26-2-2016

The LUG Company reserves right to introduce any construction changes and improvements into the lighting luminaires

LIGHT BEAM CURVES



Designed by LUG Design Team

Luminous flux tolerance +/- 10%.

Lighting beam, light intensity distribution and light efficiency were examined in accordance with the EN ISO 17025:2005 norm for EN13032 norm series and the LM-79 norm.

Up-to-date product info available on our website www.flashdq.com

Date of issue: 26-2-2016

The LUG Company reserves right to introduce any construction changes and improvements into the lighting luminaires