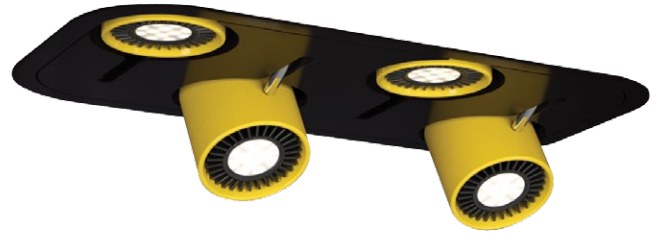


Modern downlight luminaire with spotlight function for LED light sources for plaster board ceilings.

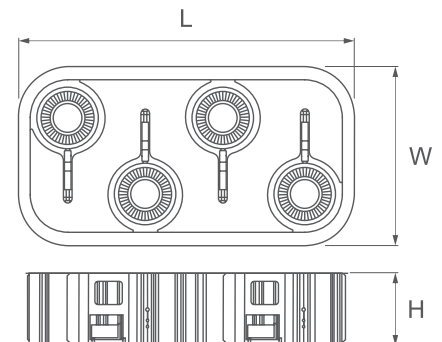


TECHNICAL DATA	Mounting: in the ceiling, with mounting brackets (included) Body: powder painted steel sheet and anodized aluminum Colour: white, black
ELECTRICAL DATA	Power: 220-240V 50/60Hz Includes light source: yes Type of equipment: ED
OPTICAL DATA	Way of lighting: direct
ADDITIONAL INFO	Available on request: metal halide lamps (on request), DALI Other remarks: for metal halide version - please order MH light sources
GENERAL DATA	Warranty: 3 years + 2 years after project registration Application: hotels, offices, delicatessen, galleries, boutiques, shopping centers, museums

Code	Beam angle	Power LED [W]	Luminaire power [W]	Lumen LED [lm]	Lumen luminaire [lm]	Efficacy [lm/W]	Colour temperature [K]	CRI/Ra
22001X.5L401.3X5	24°	4x17,5	83	4x1560	6240	75	4000	92
22001X.5L402.3X5	24°	4x17,5	83	4x1430	5720	69	3000	92
22001X.5L403.3X5	40°	4x17,5	83	4x1560	6240	75	4000	92
22001X.5L404.3X5	40°	4x17,5	83	4x1430	5720	69	3000	92

22001	□	.5L101.3	□	1
	Body colour		Colour of decorative elements	
1	□ white	1	□ pink	
3	■ black	2	■ red	
		3	■ green	
		4	■ blue	
		5	■ yellow	
		6	□ white	
		7	■ black	

Code	Dimensions [mm] LWH	Pallet quantity	Quantity in package	Net weight [kg]
22001X.5L401.3X5	652 348 144	16	1	7.3
22001X.5L402.3X5	652 348 144	16	1	7.3
22001X.5L403.3X5	652 348 144	16	1	7.3
22001X.5L404.3X5	652 348 144	16	1	7.3



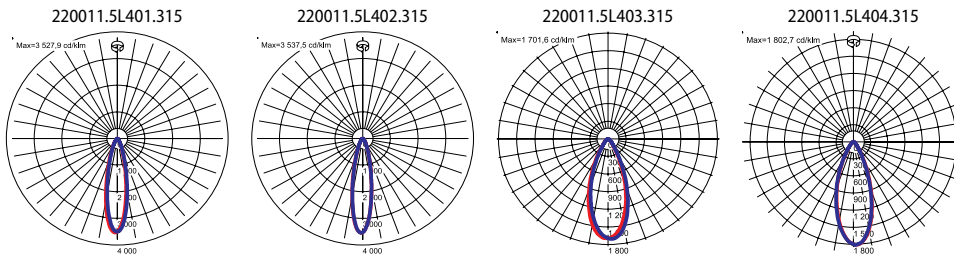
Designed by LUG Design Team

Luminous flux tolerance +/- 10%.
Lighting beam, light intensity distribution and light efficiency were examined in accordance with the EN ISO 17025:2005 norm for EN13032 norm series and the LM-79 norm.
Up-to-date product info available on our website www.flashdq.com

Date of issue: 26-2-2016

The LUG Company reserves right to introduce any construction changes and improvements into the lighting luminaires

LIGHT BEAM CURVES



Designed by LUG Design Team

Luminous flux tolerance +/- 10%.

Lighting beam, light intensity distribution and light efficiency were examined in accordance with the EN ISO 17025:2005 norm for EN13032 norm series and the LM-79 norm.

Up-to-date product info available on our website www.flashdq.com

Date of issue: 26-2-2016

The LUG Company reserves right to introduce any construction changes and improvements into the lighting luminaires