

Suspended decorative luminaire for LED light sources.

TECHNICAL DATA

Mounting: suspended, on wire suspension (included)
Body: black plastic polyester material (resin), optic frame - galvanized steel
Colour: black

ELECTRICAL DATA

Power: 220-240V 50/60Hz
Includes light source: yes
Type of equipment: ED

OPTICAL DATA

Way of lighting: direct

ADDITIONAL INFO

Available on request: DIM 1..,10V, DALI

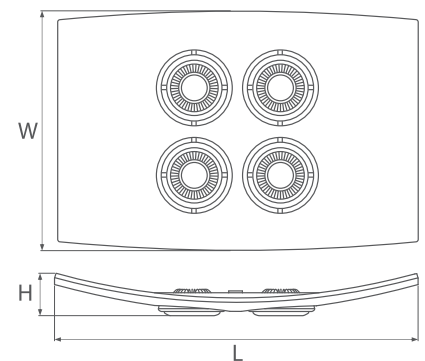
GENERAL DATA

Other remarks: for metal halide version - please order MH light sources
Warranty: 3 years + 2 years after project registration
Application: offices, conference rooms, reception desks, shopping centers, car showrooms, boutiques

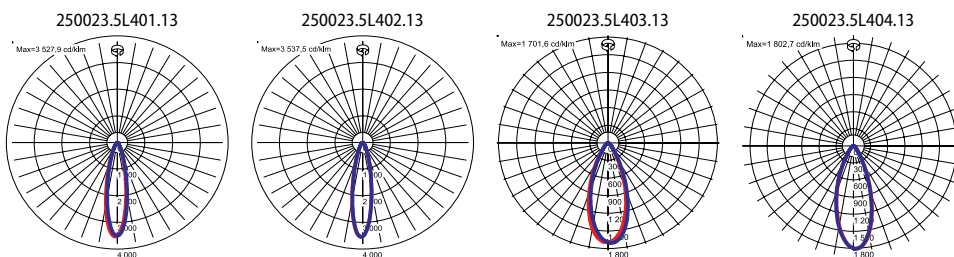


Code	Beam angle	Power LED [W]	Luminaire power [W]	Lumen LED [lm]	Lumen luminaire [lm]	Efficacy [lm/W]	Colour temperature [K]	CRI/Ra
250023.5L401.13	24°	70	83	6240	6240	75	4000	92
250023.5L402.13	24°	70	83	5720	5720	69	3000	92
250023.5L403.13	40°	70	83	6240	6240	75	4000	92
250023.5L404.13	40°	70	83	5720	5720	69	3000	92

Code	Dimensions [mm] L W H	Mounting dimensions [mm] L W	Pallet quantity	Quantity in package	Net weight [kg]
250023.5L401.13	797 530 92	210 210	8	1	7.9
250023.5L402.13	797 530 92	210 210	8	1	7.9
250023.5L403.13	797 530 92	210 210	8	1	7.9
250023.5L404.13	797 530 92	210 210	8	1	7.9



LIGHT BEAM CURVES



Designed by LUG Design Team

Luminous flux tolerance +/- 10%.

Lighting beam, light intensity distribution and light efficiency were examined in accordance with the EN ISO 17025:2005 norm for EN13032 norm series and the LM-79 norm.

Up-to-date product info available on our website www.flashdq.com

Date of issue: 26-2-2016

The LUG Company reserves right to introduce any construction changes and improvements into the lighting luminaires