

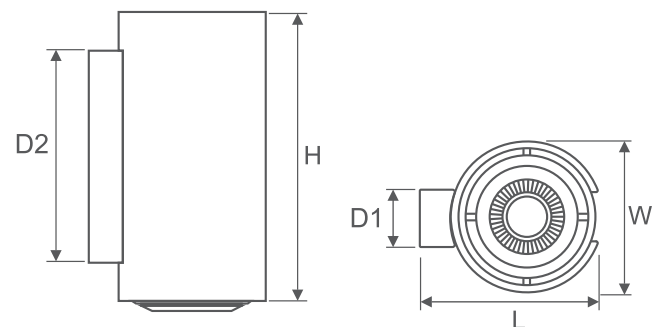
Modern surface mounted luminaire for LED light sources.

TECHNICAL DATA	Mounting: surface mounted (sconce)
	Body: top quality anodized aluminum with carbon fiber structure finish
	Colour: black
ELECTRICAL DATA	Power: 220-240V 50/60Hz
	Includes light source: yes
	Type of equipment: ED
OPTICAL DATA	Way of lighting: direct
ADDITIONAL INFO	Available on request: DIM 1..,10V, DALI
	Other remarks: for metal halide version - please order MH light sources
GENERAL DATA	Warranty: 3 years + 2 years after project registration
	Application: offices, conference rooms, reception desks, shopping centers, car showrooms, boutiques

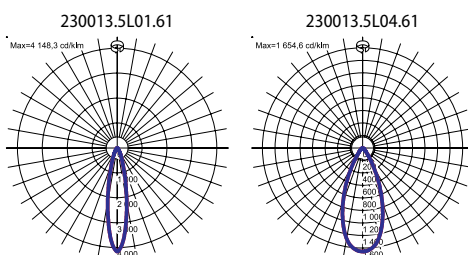


Code	Beam angle	Power LED [W]	Luminaire power [W]	Lumen LED [lm]	Lumen luminaire [lm]	Efficacy [lm/W]	Colour temperature [K]	CRI/Ra
230013.5L01.61	24°	17,5	21	1560	1560	74	4000	92
230013.5L02.61	24°	17,5	21	1430	1430	68	3000	92
230013.5L03.61	40°	17,5	21	1560	1560	74	4000	92
230013.5L04.61	40°	17,5	21	1430	1430	68	3000	92

Code	Dimensions [mm] L W H D1 D2 D3	Mounting dimensions [mm] W	Pallet quantity	Quantity in package	Net weight [kg]
230013.5L01.61	215 185 362 70 256 220	220	50	1	4.0
230013.5L02.61	215 185 362 70 256 220	220	50	1	4.0
230013.5L03.61	215 185 362 70 256 220	220	50	1	4.0
230013.5L04.61	215 185 362 70 256 220	220	50	1	4.0



LIGHT BEAM CURVES



Designed by LUG Design Team

Luminous flux tolerance +/- 10%.

Lighting beam, light intensity distribution and light efficiency were examined in accordance with the EN ISO 17025:2005 norm for EN13032 norm series and the LM-79 norm.

Up-to-date product info available on our website www.flashdq.com

Date of issue: 26-2-2016

The LUG Company reserves right to introduce any construction changes and improvements into the lighting luminaires